

# Secure Disc

## for fire protection of data media

*Ever thought about what would happen if you had a fire and lost all of your computer data? Statistics show that 80% of all companies that lose their computer data are out of business in three months. The answer is to protect your valuable data media with the Secure Disc.*



Styled to fit any environment, the Secure Disc is a safe designed for the protection of data media whilst offering up to 60 minutes of fire protection.

### Model

The Secure Disc is available in two models. Secure Disc 36 is a dedicated computer media protection cabinet and specially designed to equip CD/DVD's. Secure Disc 52 is a larger unit that has a section protecting computer media and a separate section for protecting documents for which a shelf is provided.

### Locking

All safes are available with an user friendly electronic pin-code or security key lock.

### Certification

Both Secure Disc models are tested and certified to NT Fire 017 – 60 Diskette, which means that your computer data is protected even after being subjected to a fire lasting 60 minutes. Due to the insulated walls and special insert the internal temperature will not raise above 52°C.

### Additional features

The insert is equipped with a high quality latch handle which offers an easy opening of the inner compartment and a secure closure. The compartment latch as well as the hinge are in chromium finish.

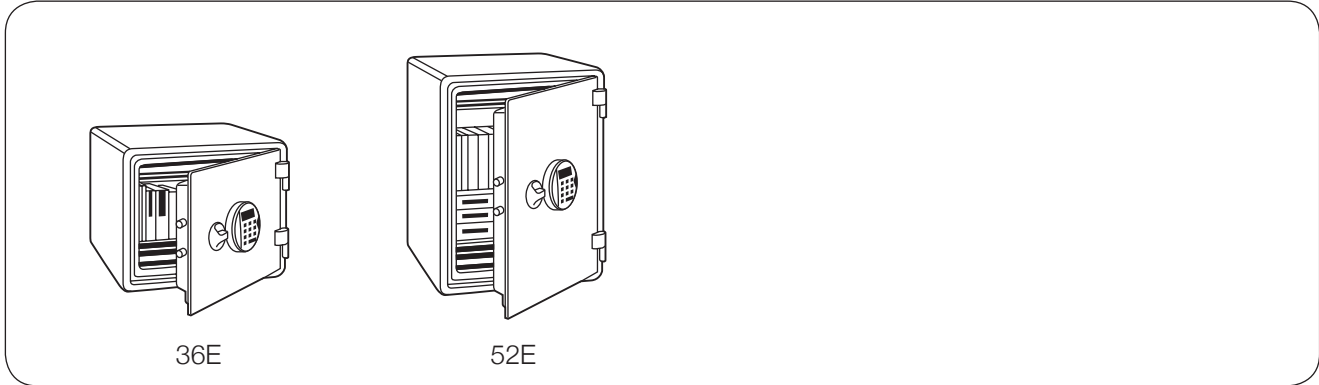
### Design

The Secure Disc range will complement any user environment and are supplied in a modern two-tone colour finish of light grey and dark grey light. The data media insert is finished in off white.



# Secure Disc

## Models



SLGB.1011.R3

## Product data

### Key lock

Model	Article No.	External dimensions (mm)			Internal dimensions (mm)			Volume (litres)	Weight (kg)	Shelf (qty)
		Height	Width	Depth	Height	Width	Depth			
SDI-36K	SL03820	360	424	458	150	230	195	7	44	-
SDI-52K	SL03821	520	410	445	320	210	195	13	71	1

### Electronic lock

Model	Article No.	External dimensions (mm)			Internal dimensions (mm)			Volume (litres)	Weight (kg)	Shelf (qty)
		Height	Width	Depth	Height	Width	Depth			
SDI-36E	SL03800	360	424	458	150	230	195	7	44	-
SDI-52E	SL03801	520	410	445	320	210	195	13	71	1

SecureLine policy is one of constant improvement. The above specification may therefore be altered without prior notification.



Authorised dealer:

